



IRIScan™ Anywhere

Duplex

User Guide

Version 1.0

I.R.I.S. SA/NV

rue du Bosquet 10, B-1348 Louvain-la-Neuve

+32 (0) 10 45 13 64 - www.iriscorporate.com



Contents

Introduction

Using this manual	4
Legend	4
ASD-STE100	4
References	4

Installation

Getting started	5
------------------------------	----------

Description

Package content	9
Upper front view	10
Upper rear view	11
Control panel	12
Specifications	14
Stand-by and OFF times	14
Supported connections	14
Scanner specifications	15
Wi-Fi specifications	15

Operation

How to place a document	17
How to place a plastic card	18
How to connect to Wi-Fi	19
How to scan	21
With cable and Capture Tool	21
With cable and Button Manager (Windows®)	21
With cable and TWAIN-compatible software	22
With Wi-Fi and Capture Tool	22
With Wi-Fi and Button Manager (Windows®)	22
With Wi-Fi and TWAIN-compatible software	23
How to enter the scanner settings via your browser	24
How to use the IRIScan™ app on Android®	26
How to use the IRIScan™ app on iOS®	30
How to reset Wi-Fi settings	35

Maintenance

Calibrate the scanner	36
Clean the scanner	38

Troubleshooting

FAQ	40
Troubleshooting	43
Clear error conditions	43
Remove a paper jam	43
Correct wrong cropping	44
Clear Wi-Fi connection	44
We are here for you	46

Safety

Disclaimer	47
-------------------------	-----------

Precautions.....	48
Safety instructions	49
Legal information	50

Introduction

Using this manual

Legend



A WARNING informs you of danger, harm, or consequences that exist.



A CAUTION advises you to act with care.



A NOTE tells you an additional information that is good to know.

ASD-STE100

This manual applies as much as possible the ASD-STE100 specification (Simplified technical English). Go to <https://www.asd-ste100.org> for more details.

References

1. User manual of **Capture Tool**.
2. User manual of **Button Manager v2**.

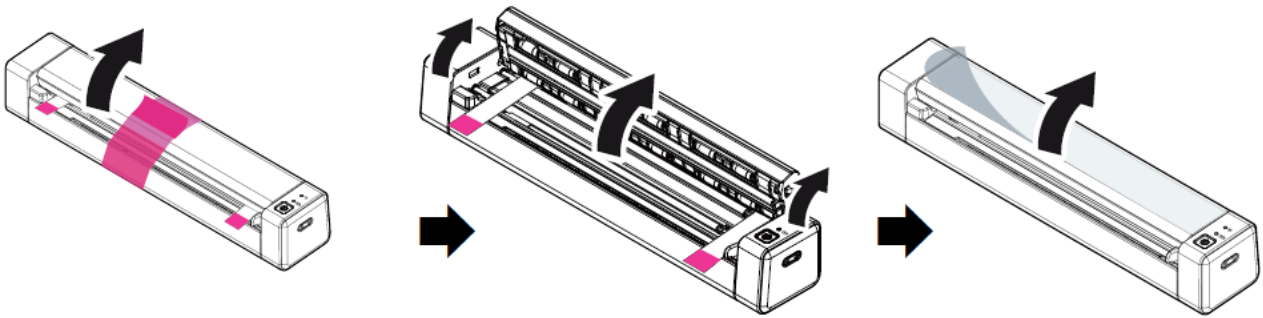
Available from our web site: [Product resources](#).

Installation

Getting started

Step 1: Remove the protective tapes

Remove the protective tapes from the scanner and the inside of the document feeder, as shown below.

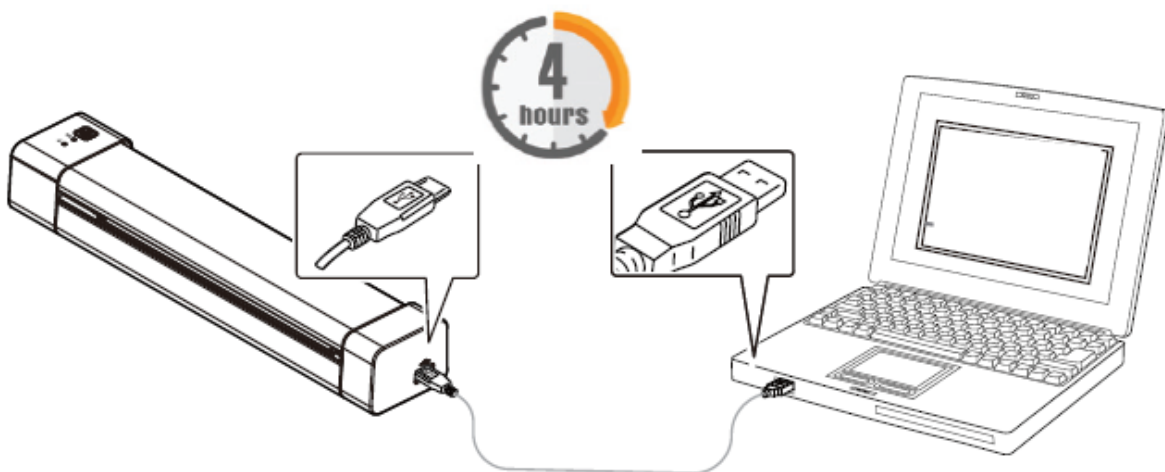


Step 2: Charge the device

It is best to charge the device for **4-5 hours** before starting the device.

1. Make sure that the scanner is stopped.
2. Connect the USB-C connector of the charging cable to the scanner's USB-C port.
3. Connect the USB connector of the charging cable to your computer's USB port.

During the charging of the device, the red battery indicator is permanently lit. When charging is complete, the light comes in green.



Do not start the scanner while the charging of the battery is in progress.

Step 3: Install and run Software



You must have administrator rights on your computer to install software.

To **download** each software, go to [Download Center](#).

Depending on your operating system, this product comes with a set of applications that we ask you to install in the following order:

Order	Software name	Description	Platform
1.	Cardiris™	Business card scanning software.	Windows®
2.	Readiris™ PDF (trial version)	OCR and conversion software with focus on PDF editing and conversion.	Windows® or macOS®
3.	Readiris™	OCR and conversion software.	Windows® or macOS®
4.	IRIScan™ Anywhere software (or Capture Tool)*	The Capture Tool also acts as a TWAIN driver for any TWAIN-compatible software.	Windows® or macOS®
5.	Button Manager v2*	Send your scanned documents to your favorite software applications and Cloud destinations, at the click of a button in Button Manager or the press of the button on the scanner.	Windows®
6.	Virtual Scanner Link (VSL)*	"Relay" application that lets you use the scanner without the cable.	Windows® or macOS®

* Points 4, 5 and 6 are combined in a single installation..

On a **mobile device**, this product comes with one app called **IRIScan-PDF scanner**.
(Download it from Google Play on Android® or from App Store on iOS®)

Once you have downloaded and installed all the software, run **Capture Tool, which is the IRIScan™ Anywhere software and TWAIN driver**.

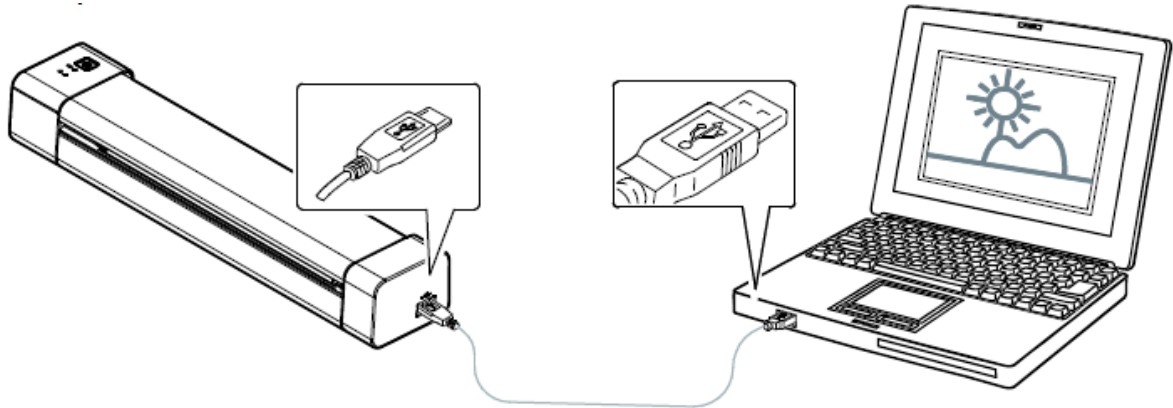
For more details about each software, refer to the respective user manuals that are available from our web site: [Product resources](#).



The scanner driver contains a TWAIN, and a WIA driver. After the installation of the scanner driver is completed, this scanner allows you to scan via a TWAIN, or a WIA interface. Start your **TWAIN-compatible image-editing software** to select a TWAIN or WIA user interface. Alternatively, you can also start Microsoft's Scanner and Camera Wizard to scan via a WIA user interface.

Step 4: Connect to the computer

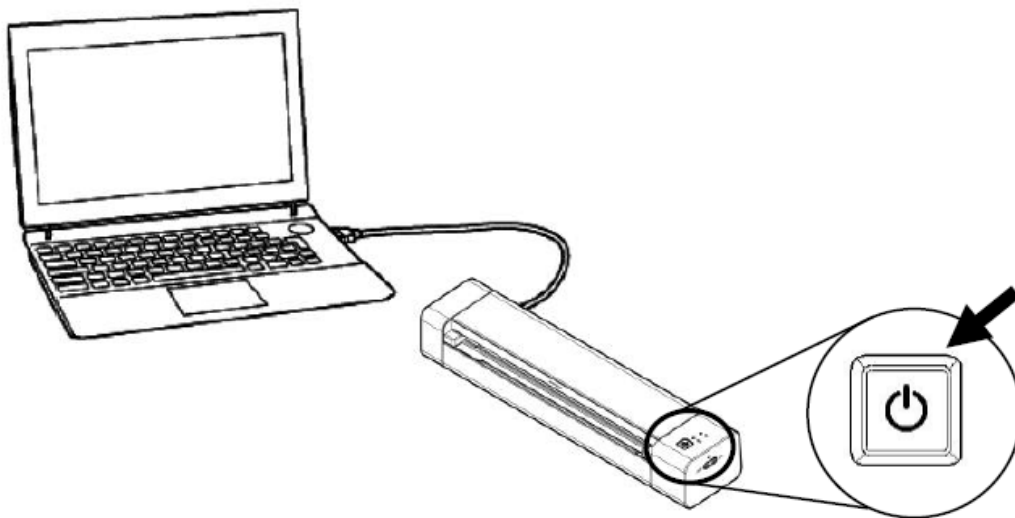
1. Connect the USB-C connector of the charging cable to the scanner's USB-C port.
2. Connect the USB connector of the charging cable to your computer's USB port.



3. The computer detects a new USB device and shows a "New hardware detected" message.
4. When the **Finish** dialog box appears, select the **Finish** button.

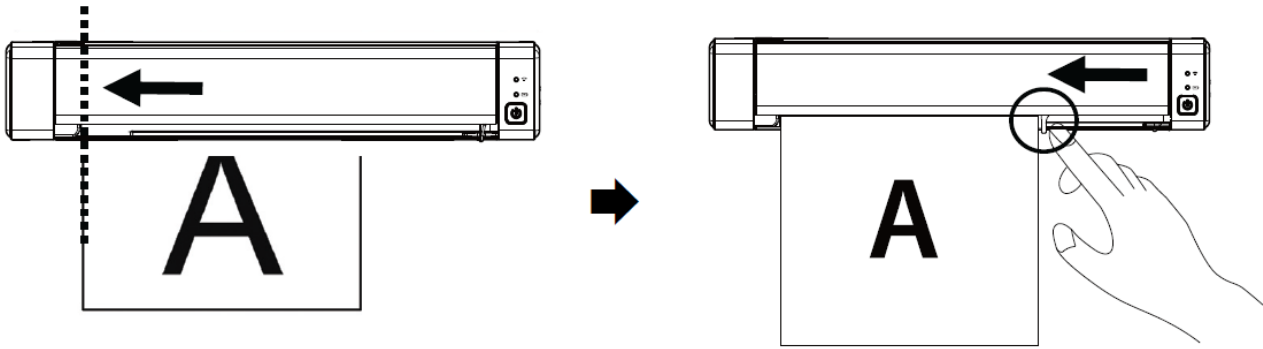
Step 5: Start the device

Press the power button to start the device. The power LED first flashes, then remains green.



Step 6: Place a document

1. Align the original document to the left edge of the feed slot.
2. Put the original document **face up** into the feed slot.
3. Gently push the original document into the feed slot.
4. Move the paper guide to the right edge of the original document to ensure correct alignment during the scanning.



Step 7: Scan

Go to [How to scan.](#)



European Union Regulatory Notice

Products bearing the CE marking comply with the following EU Directives:

- Low Voltage Directive 2014/35/EC
- EMC Directive 2014/30/EC
- Restriction of the use of certain hazardous substances (RoHS) Directive 2011/65/EU
- RED (Radio Equipment Directive) (2014/53/EC)

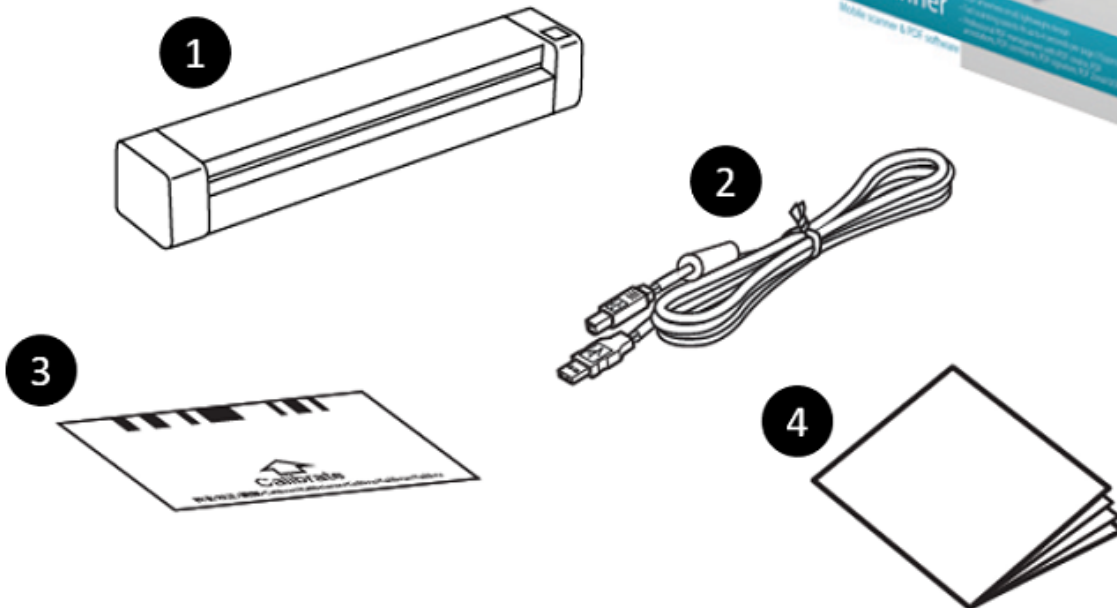
This product satisfies the Class B limits of EN55032, EN55035, and safety requirements of EN62368-1.

This device is certified as Class 1 LED product.

Description

Package content

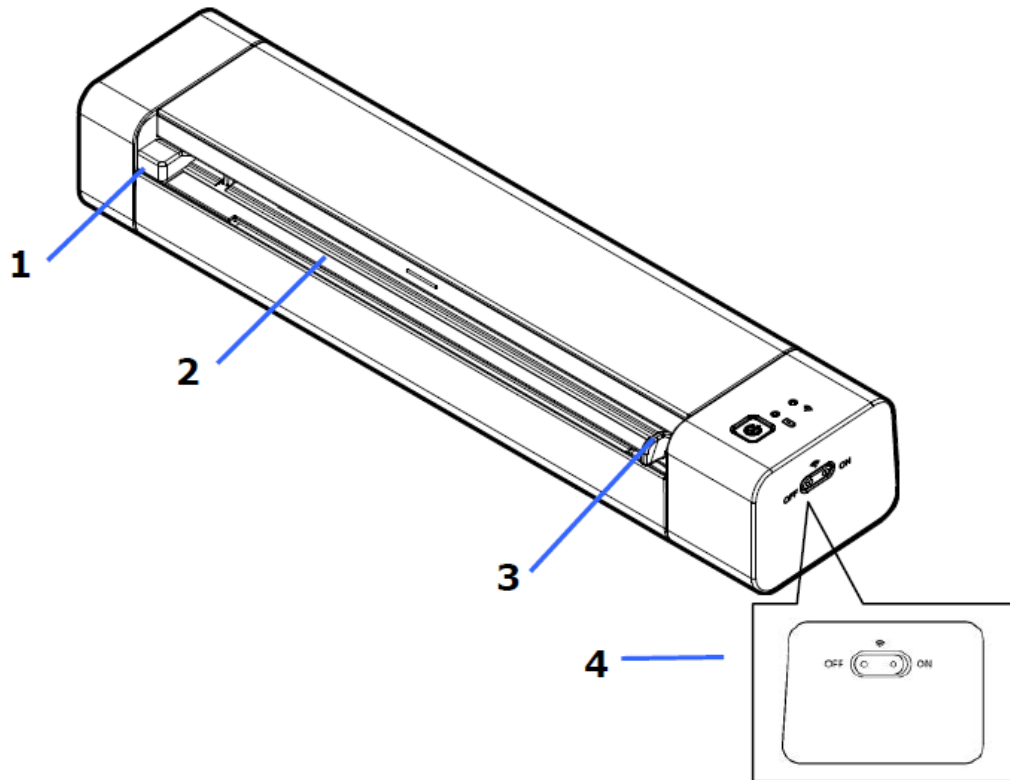
Regulatory model: Duplex



- 1 Scanner main unit
- 2 USB-C cable
- 3 Calibration sheet
- 4 Getting started booklet

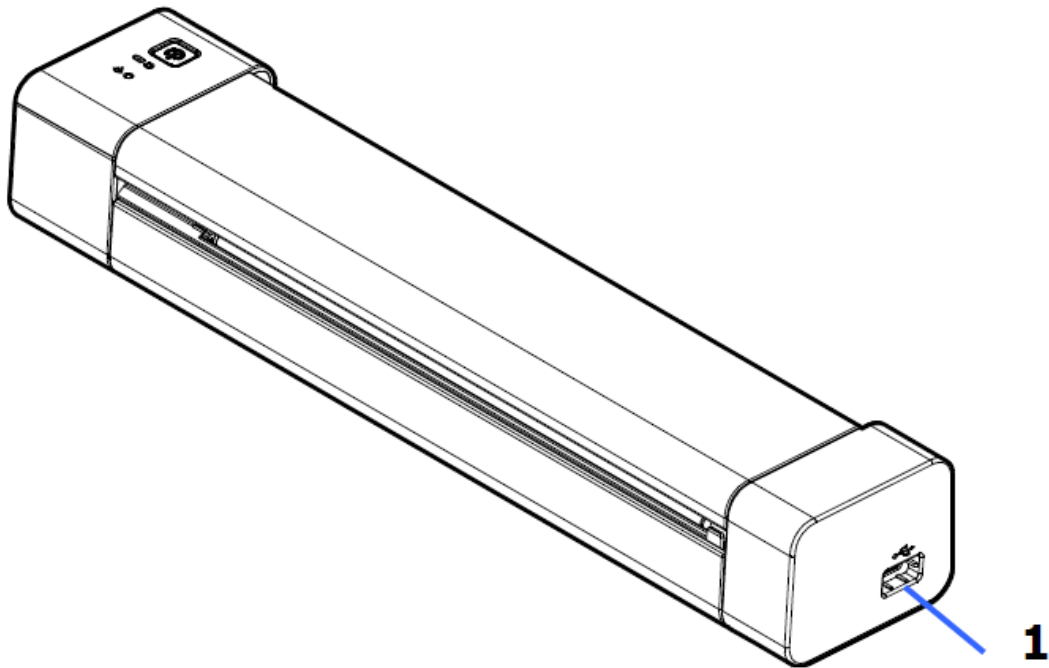
i See [Calibrate the scanner](#) for information on calibration.

Upper front view



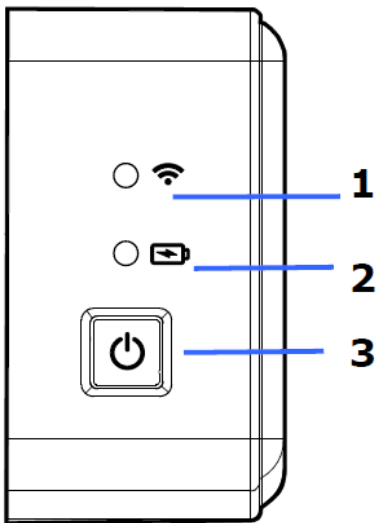
Item	Name	Description
1	Left edge of feed slot	Put the original document in the feed slot, printed side up and aligned with the left edge.
2	Feed slot	Put the original document into the feed slot.
3	Paper guide	Move the paper guide to the right edge of the original document to ensure correct alignment during the scanning.
4	Wi-Fi switch	Set the Wi-Fi connection to ON or OFF. Refer to the Operation chapter for more information on Wi-Fi settings.












Upper rear view

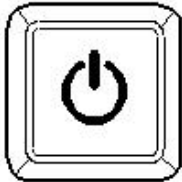


Item	Name	Description
1	USB Type-C	Connect the USB-C connector of the charging cable to the scanner's USB-C port.

Control panel






Item	Name	Description						
1	Wi-Fi LED 	<p>The blue LED that flashes shows that the Wi-Fi connection in Access point mode is in progress.</p> <p>The blue LED permanently lit shows that the Wi-Fi connection in Access point mode is successful.</p> <p>Refer to the Operation chapter for more information on Wi-Fi settings.</p>						
2	Battery LED 	<p>The LED light shows the power status of the battery.</p> <table border="1"> <tr> <td> Red flashes  </td> <td>Low battery</td> </tr> <tr> <td> Red  </td> <td>Charge in progress</td> </tr> <tr> <td> Green  </td> <td>Charge is completed</td> </tr> </table>	Red flashes 	Low battery	Red 	Charge in progress	Green 	Charge is completed
Red flashes 	Low battery							
Red 	Charge in progress							
Green 	Charge is completed							
3	Power/Scan button	<ul style="list-style-type: none"> Press the power button to start the device. 						



- Press and hold the power button for 3 seconds to stop the device.
- Press the scan button to start a scan

Color legend:

<p>Green flashes</p> 	<p>The scanner is in power-saving mode. Press the Power button to wake up from standby.</p>
<p>Green</p> 	<p>The scanner is ready to scan.</p>
<p>Red flashes</p> 	<p>An error has occurred.</p>

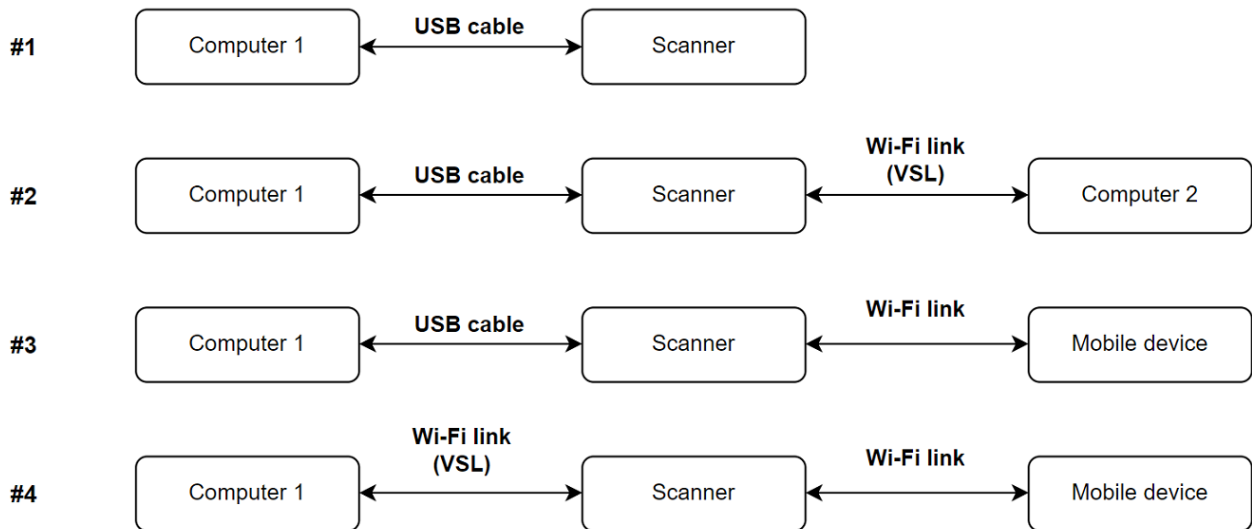
Specifications

Stand-by and OFF times

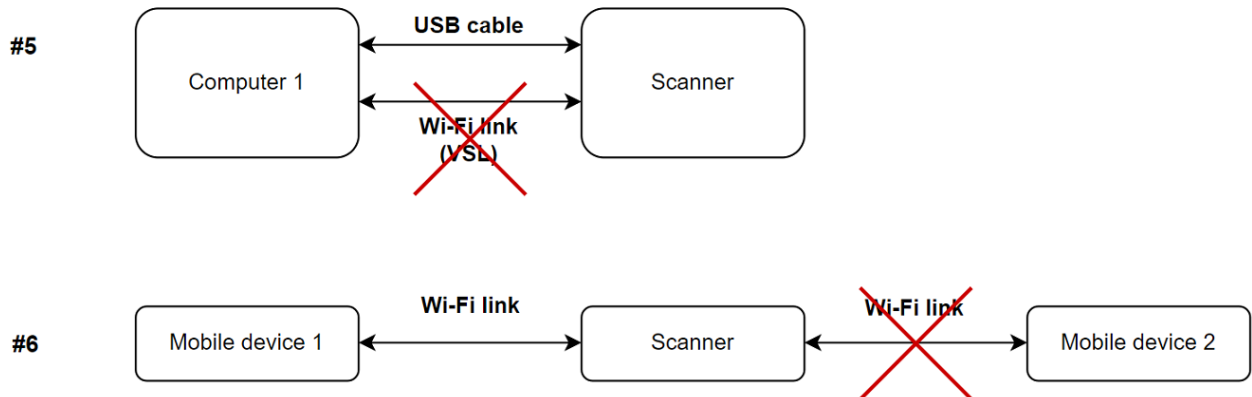
	If powered by USB cable	If powered by battery
Stand-by mode	N/A	after 10 min
Automatic power-off	after 60 min	after 15 min

Supported connections

Can support



Cannot support



Scanner specifications

All specifications are subject to change without notice.

Model number	FF-2111B (simplex scanner) FF-2112B (duplex scanner)
Image Technology	Contact Image Sensor (CIS)
Optical Resolution	600 dpi
Color Modes	Black & White/Gray/Color
Max. Paper Size	8.5" x 14" (width x length)
Min. Paper Size:	2.0" x 2.9" (width x length)
Paper Weight	52 ~ 105 g/m ²
ID Card Thickness	Up to 0.8 mm
Interface	USB 2.0 Type-C Wireless 802.11 b/g/n
Power	Battery (Li-ion18650, 3.6V/2750mAh)
Operating Temperature	10°C ~ 35°C
Humidity	15%~85% RH
Dimensions: (HxWxD)	294 x 67 x 47 mm (simplex scanner) 312 x 66 x 49 mm (duplex scanner)
Weight	Approx. 480g (simplex scanner) Approx. 600g (duplex scanner)

Wi-Fi specifications

Model: CF-811AC

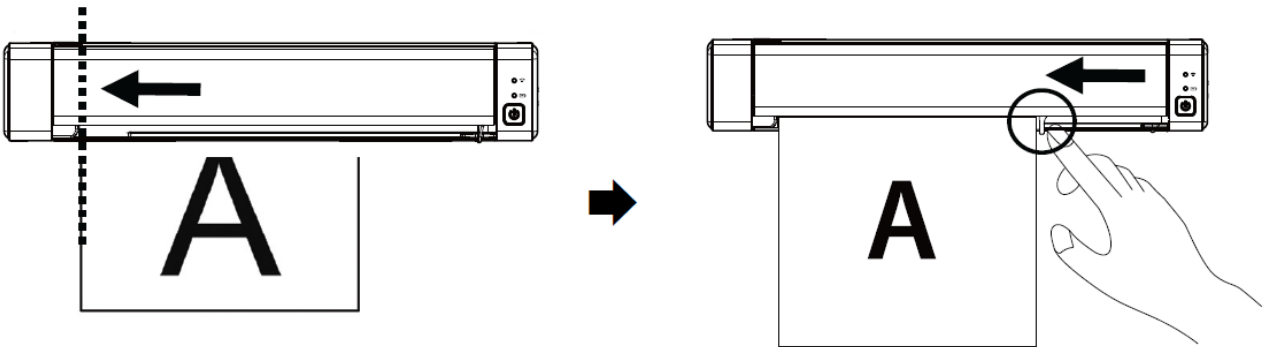
Main chipset	RTL8811CU
Host interface	USB 2.0
Frequency range	2.4GHz & 5.8GHz
Wi-Fi standard	IEEE 802.11a IEEE 802.11b IEEE 802.11g

	IEEE 802.11n IEEE 802.11ac
Security	WPA-PSK/WPA2-PSK WPA/WPA2 WEP
Operating System	Windows 10, 11 macOS 11, 12 or higher

Operation

How to place a document

- 1 Align the original document to the left edge of the feed slot
- 2 Install the original document **face up** into the feed slot.
Install only one page at a time, put the next one only when the previous one is done.
- 3 Let go of the page when it begins to slide into the slot.
If you push too far, the top of your image will be cut off.
- 4 Move the paper guide to the right edge of the original document to ensure correct alignment during the scanning.



How to place a plastic card

- 1 Align the original plastic card to the left edge of the feed slot.
- 2 Put the original plastic card **face up**.
- 3 Install the card at an angle (30°), not horizontally, to ensure that the feed wheel grips the card securely.

Install only one plastic card at a time

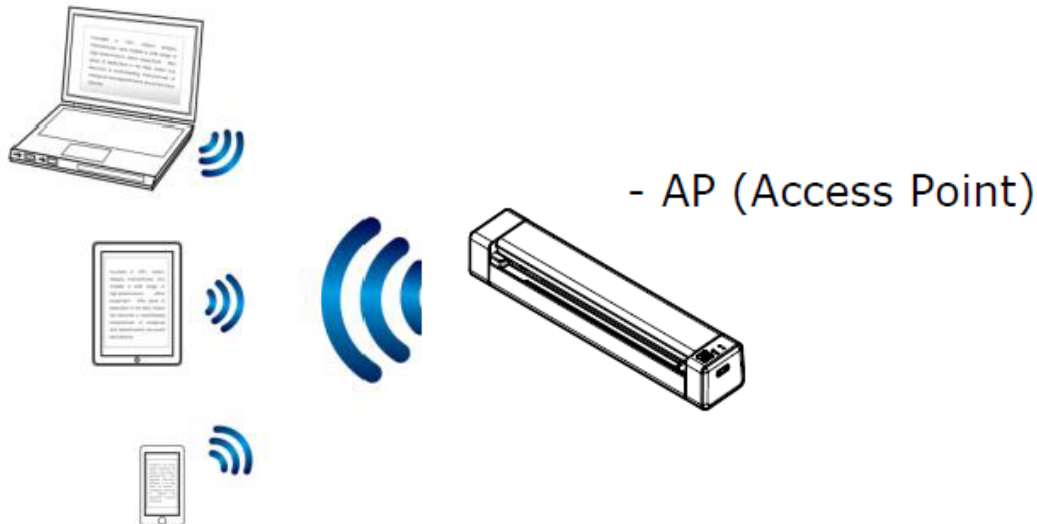
- 4 Let go of the card when it begins to slide into the slot.
If you push too far, the top of your image will be cut off.



Refer to the [Troubleshooting](#) section if you have problems with cropping.

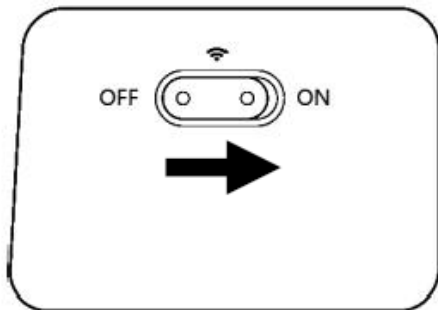
How to connect to Wi-Fi

The scanner works as an **Access Point (AC)**. You can connect your computer or your mobile devices to the scanner via Wi-Fi without the need for an additional access point. (**No Internet access**)

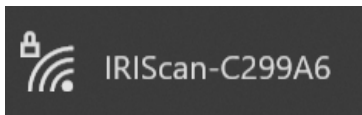


- 1 To set the Wi-Fi connection to ON, slide the Wi-Fi switch to the **ON** position (See [Upper front view](#)).

If the connection is successful, the Wi-Fi LED comes on permanently in blue.



- 2 On your computer or mobile devices (network settings), make sure that **IRIScan-xxxx** has been selected as the wireless network name (xxxx shows the last four digits of the Mac address on the back of the scanner).



Connect.

- 3 Enter the **default password**: 12345678.
The scanner and your device are now connected via Wi-Fi.




Refer to the [Troubleshooting](#) section if you are not prompted to enter a password.

How to scan




Make sure that you do **steps 1 to 6** in the [Getting started](#) section before you start a scan.

With cable and Capture Tool

- 1 Start the **Capture Tool** application. **For more details on this tool, refer to its user manual.**
- 2 Click the Scan button  in the Capture Tool.
- 3 The converted file shows in the left panel of the Capture tool.

Multi-feed is supported, and you can set the scan interval length in **Capture Tool > Setup > Paper tab > Feeding > Transport timeout** (default is 15 sec).


With cable and Button Manager (Windows®)

- 1 The **Button Manager application** is launched automatically when the scanner is connected to the computer. The **Button Manager icon** is shown in the Windows system tray, in the bottom right corner of the computer screen.
For more details on the Button Manager application, refer to its user manual.
- 2 Press the **Scan** button  in the scanner control panel (the applicable scan settings are those last saved in the Button Panel) OR click the button of your choice in the Button Panel.
- 3 The converted file opens in the selected application.

With cable and TWAIN-compatible software


- 1 Start the **TWAIN-compatible software you selected** (examples: Adobe Acrobat, or Image Capture (ICA) under macOS).
- 2 Look for the scan option in that software (example: Insert... from scanner). Follow the instructions on the screen.
- 3 Click **Scan** in the application.
- 4 The converted file opens in the selected application.

With Wi-Fi and Capture Tool


- 1 Connect to Wi-Fi (See [How to connect to Wi-Fi](#)).
- 2 Start the **Virtual Scanner Link (VSL)** application and make sure the scanner is connected. If the link to the scanner is broken, click **Refresh**, wait for the scanner to show, select it, and click **Connect**.
- 3 Start the **Capture tool** application. **For more details on this tool, refer to its user manual.**
- 4 Click the Scan button  in the Capture Tool.
- 5 The converted file opens in the selected application.

With Wi-Fi and Button Manager (Windows®)

- 1 Connect to Wi-Fi (See [How to connect to Wi-Fi](#)).
- 2 Start the **Virtual Scanner Link (VSL)** application and make sure the scanner is connected. If the link to the scanner is broken, click **Refresh**, wait for the scanner to show, select it, and click **Connect**.
- 3 The **Button Manager application** is launched automatically when the scanner is connected to the computer. The **Button Manager icon** is shown in the Windows system tray, in the bottom right corner of the computer screen.
For more details on the Button Manager application, refer to its user manual.

- 4 Press the **Scan** button  in the scanner control panel (the applicable scan settings are those last saved in the Button Panel) OR click the button of your choice in the Button Panel.
- 5 The converted file opens in the selected application.

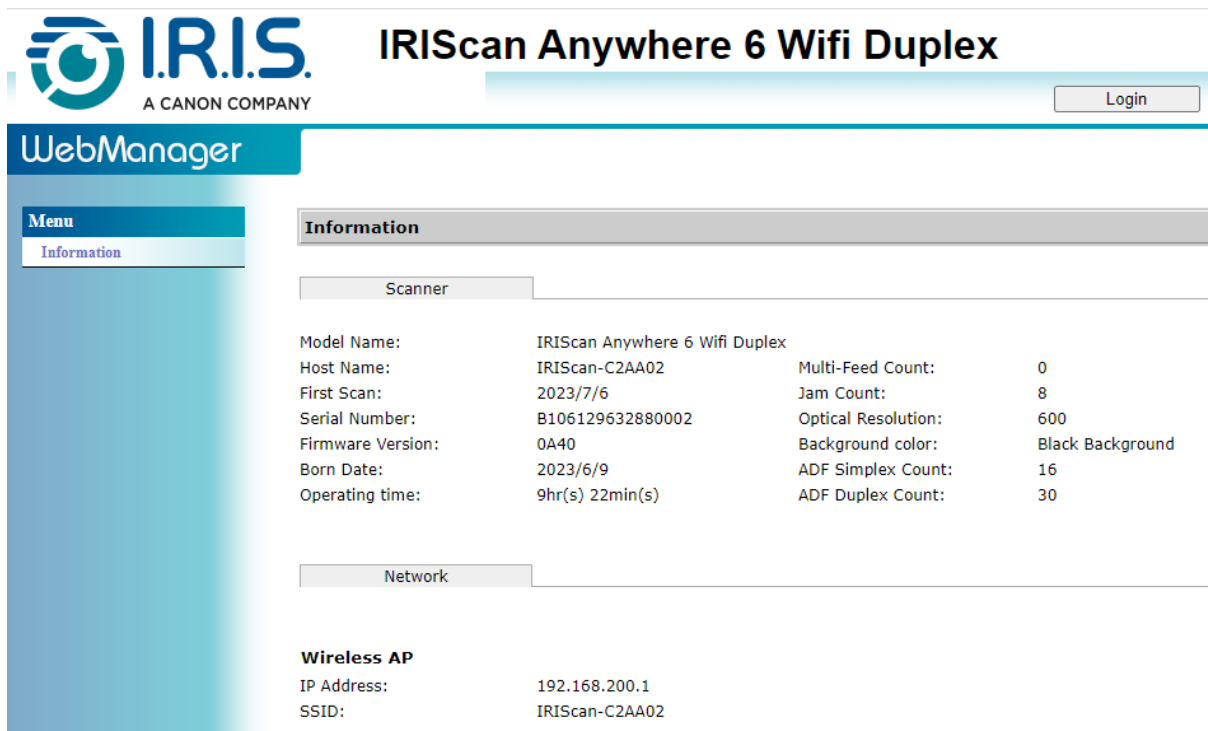
With Wi-Fi and TWAIN-compatible software

- 1 Connect to Wi-Fi (See [How to connect to Wi-Fi](#)).
 - 2 Start the **Virtual Scanner Link (VSL)** application and make sure the scanner is connected. If the link to the scanner is broken, click **Refresh**, wait for the scanner to show, select it, and click **Connect**.
 - 3 Start the **TWAIN-compatible software you selected** (examples: Adobe Acrobat, or Image Capture (ICA) under macOS).
 - 4 Look for the scan option in that software (example: Insert... from scanner). Follow the instructions on the screen.
 - 5 Click **Scan** in the application.
 - 6 The converted file opens in the selected application.
-  To find out how to scan with the **IRIScan™-PDF app** (mobile application), refer to [How to use the IRIScan™ app on Android](#).

How to enter the scanner settings via your browser

You can use a web interface to administrate your scanner settings (example: name or protection).

- 1 Connect your scanner to a computer via Wi-Fi. The two devices are now connected point-to-point.
- 2 Open a browser on your computer and enter the primary IP address <http://192.168.200.1/>. You can see the information menu about the hardware and about the wireless Access Point.



- 3 Click **Login** (button in the upper right corner of the window). A login window is shown.
- 4 Enter the **primary login name**: admin, and the **primary password**: admin. Click **OK**. You now have access to the 'Web manager' interface.
- 5 Once you are logged in, two additional tabs are available from the left menu.
 1. the device management tab. You can change your login and password to this web interface.

2. the network management tab. You can change the name of your scanner (SSID) and add protection. Follow the on-screen steps.



- 6 **Save** your changes.

How to use the IRIScan™ app on Android®

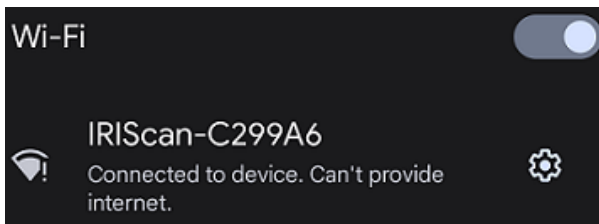
The IRIScan™-PDF scanner app is a mobile application available on Android®.



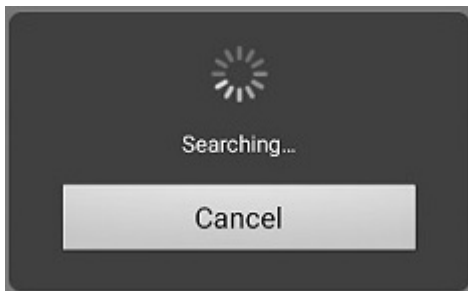
The app is available on Android from **Android® 11**.

You can scan documents directly to your mobile device via the IRIScan™-PDF scanner app.

- 1 Download the app from Google Play (Android®).
- 2 Install it.
- 3 Set the **Wi-Fi connection** on your scanner to **ON**.
- 4 Enable the Wi-Fi function on your mobile device (see Network settings).
- 5 Connect to the IRIScan™ network (see [How to connect to Wi-Fi](#)). When the connection to the scanner is successful, "Connected" is shown on your screen.

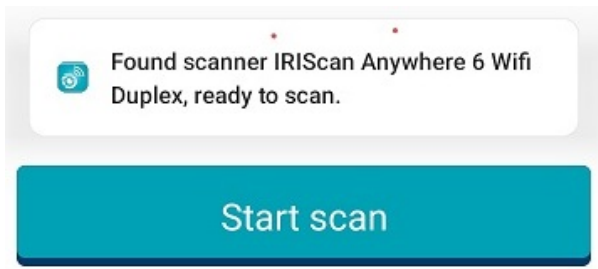


- 6 Start the IRIScan™-PDF scanner app. The app is searching for the scanner.

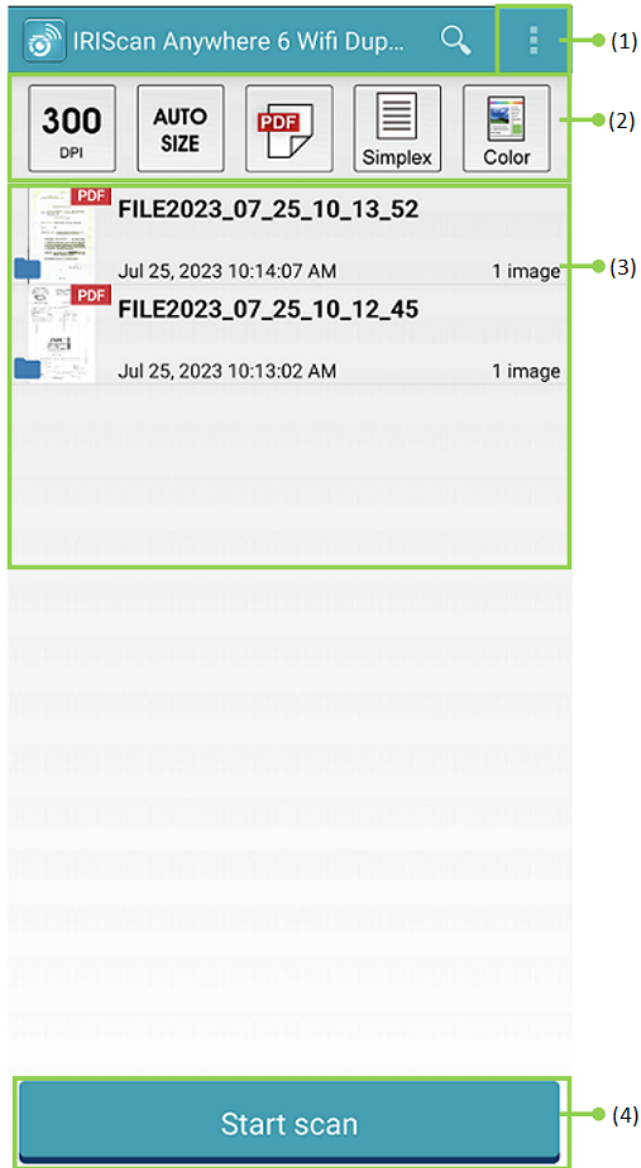


- If the search window is not shown, you can also do a **manual search** via the **three-dot menu (1) > Search scanner**.
- If the app asks you to allow access to the device's location, select the answer of your choice.

Once the scanner is connected, a message appears to let you know the application is ready to scan.



The app interface looks like this:



1. Three-dot menu
2. Scan options
3. File list
4. Scan button

7 Select the **Scan options (2)**:

- **Resolution (DPI number)**: 300 DPI is the default value.
- **Paper size**: auto-size is the default value, it lets the scanner detect the paper size automatically. The abbreviations LTR stand for 'Letter' and LGL for 'Legal'.

- **Output format:** PDF is the default value. JPEG or TIF formats are also available. JPEG format does not support B/W color mode. The TIF format supports B/W color mode only.
- **Simplex or Duplex:** depending on your scanner model, the scan mode is shown.
- **Color mode:** color is the default value. Gray or black and white (B/W) are also available.

8 Select the **three-dot menu (1)** to access the following options:

- **Refresh:** refresh the screen.
- **Settings:** open the general and scanner settings.
- **Wi-Fi settings:** open the Wi-Fi settings of your mobile device.
- **Search scanner:** connect or reconnect to your scanner if the "Scanner not found" message is shown.
- **About:** see version information of the app.
- **Register Now:** register as an IRIS user to get free support. You are redirected to our web site.

9 Place a document in the scanner (see [How to place a document](#)).

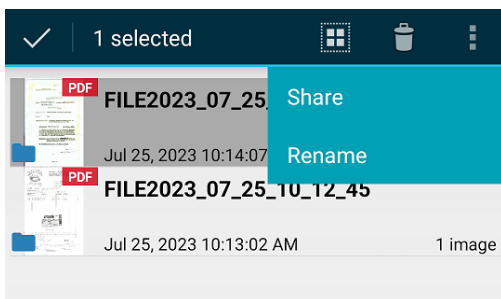
10 Select **Start scan (4)** in the app.



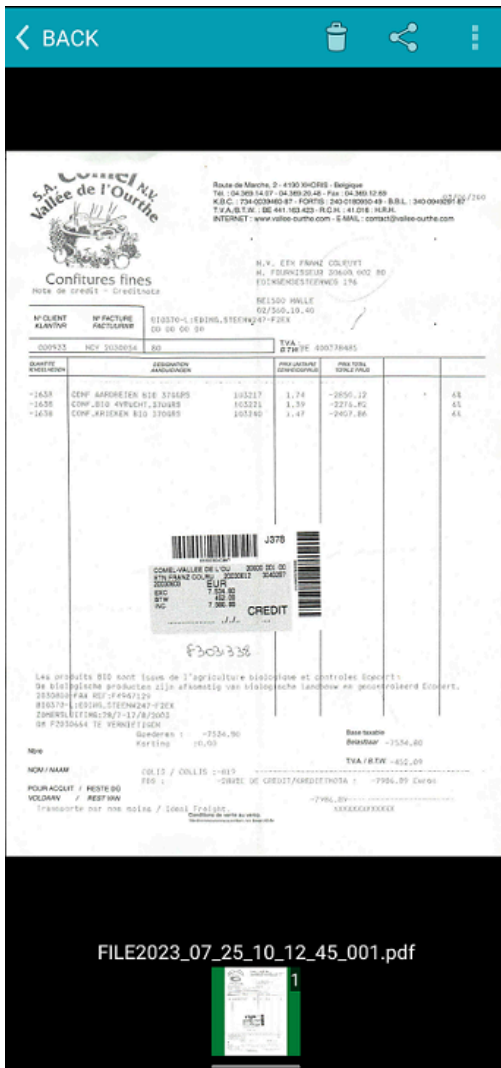
The new file shows on the screen of the app, in the **File list (3)**.

11 In the **File list (3)**, **select and hold the file for one second** to have access to:

- **Bin icon:** delete the file.
- **Share:** select the three-dot menu and select **Share**. It opens the share screen of your mobile device.
- **Rename:** select the three-dot menu and select **Rename**. You can enter a new name for your selected file via the text field that is shown.



12 Select a file in the **File list (3)** to open it in a new screen with new options.



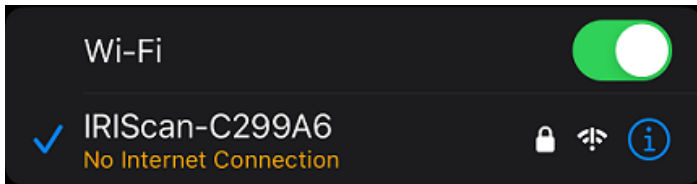
- **Bin icon:** delete the file.
- **Share icon:** open the share screen of your mobile device.
- **Open with...:** select the three-dot menu and select **Open with...** A list of possible apps opens.
Select < **BACK** to go back to the main screen.

How to use the IRIScan™ app on iOS®

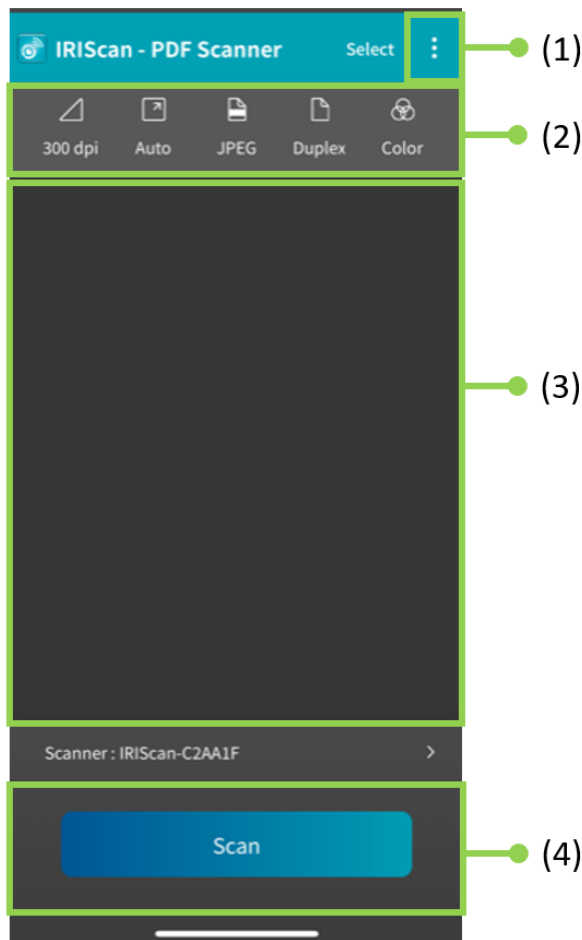
The **IRIScan™-PDF scanner** app is a mobile application available on **iOS®**.

You can scan documents directly to your mobile device via the **IRIScan™-PDF scanner** app.

- 1 Download the app from the Apple Store (iOS®).
- 2 Install it.
- 3 Set the **Wi-Fi connection** on your scanner to **ON**.
- 4 Enable the Wi-Fi function on your mobile device (see Wi-Fi settings).
- 5 Connect to the IRIScan™ network (see [How to connect to Wi-Fi](#)). When the connection to the scanner is successful, a tick appears next to the scanner name.



- 6 Start the **IRIScan™-PDF scanner** app. The app is searching for the scanner.
Once the scanner is connected, the app interface looks like this:



1. Three-dot menu
2. Scan options
3. File list
4. Scan button

7 Select the **Scan options (2)**:

- **Resolution (DPI number)**: 300 DPI is the default value.
- **Paper size**: auto-size is the default value, it lets the scanner detect the paper size automatically. The other options are Legal, Letter, and A4.
- **Output format**: PDF is the default value. JPEG or TIF formats are also available. JPEG format does not support B/W color mode. The TIF format supports B/W color mode only.
- **Simplex or Duplex**: depending on your scanner model, the scan mode is shown.
- **Color mode**: color is the default value. Gray is also available.

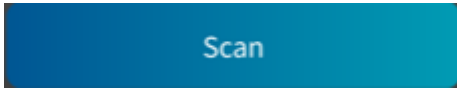
8 Select the **three-dot menu (1)** to access the following options:

- **Setting**: you can select the user interface language and set two options for naming your scan: prefix and time format.
- **Wi-Fi**: shortcut to access your mobile device's Wi-Fi settings.
- **Scanner**: see scanner information.

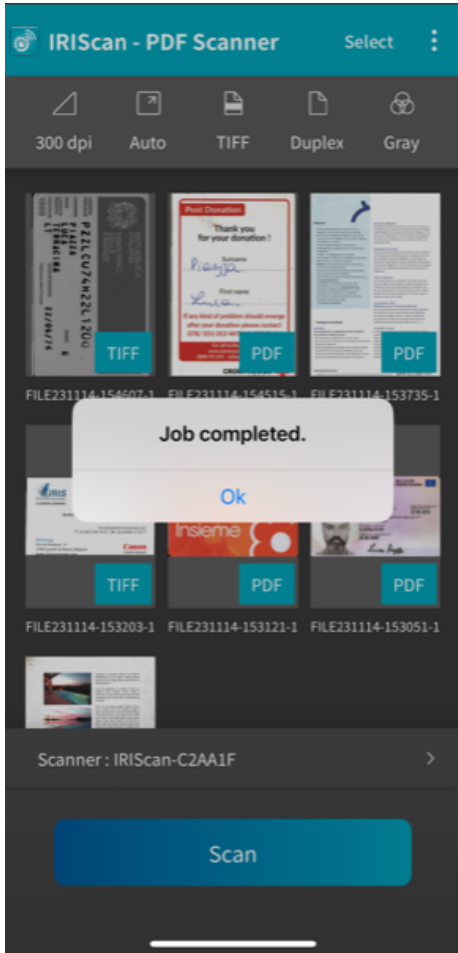
- **About:** see version information of the app.
- **Register Now:** register as an IRIS user to get free support. You are redirected to our web site.

9 Place a document in the scanner (see [How to place a document](#)).

10 Select **Scan (4)** in the app.



The new file shows on the screen of the app, in the **File list (3)**.



- 11 If you click **Select** in the title bar, you can select one file, **Select all files**, or **Cancel** file selection, and you have access to two options:
- **Delete**: delete the selected file(s).
 - **Share**: open the share screen of your mobile device.



- 12 Select a file in the **File list (3)** to open it in a new screen with new options.



- **Turn** to rotate the page (clockwise).
- **Tag**: can add a tag to the document (as metadata).
- **Delete** the file.
- **Share**: open the share screen of your mobile device.
- Select < **Done** to go back to the main screen.

How to reset Wi-Fi settings

To reset **Wi-Fi settings to factory defaults** (if you have forgotten your password, for example), do the following:

- 1 Connect to Wi-Fi (See [How to connect to Wi-Fi](#)).
- 2 Set the Wi-Fi switch to OFF and ON again **three times in succession**.
The red LED flashes during the reset.
When the light is green again, the Wi-Fi settings have been reset.

See [How-to video](#).

Maintenance

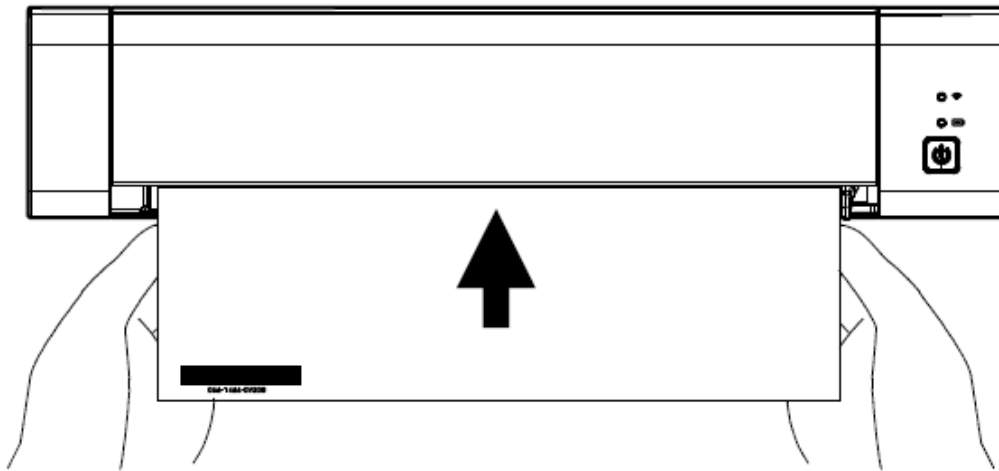
Calibrate the scanner

Calibrate if the scanned image appears blurred, if the color appears abnormal (for example darker than normal), after more than 8,000 scans, or if the scanner was unused for a long time. The calibration process resets the Contact Image Sensor to restore color accuracy and sharpness.



- Use only the calibration sheet supplied to calibrate the scanner. If you use a different sheet for calibration, it may result in cropping failure.
- Keep the calibration sheet for future use, as re-calibration may be necessary.
- Do not stop the calibration sequence or try to stop the device while it is calibrating.
- Prevent the calibration sheet from getting dusty and damaged. Dirt can invalidate the calibration card or have an effect on the calibration results.

- 1 Start the scanner.
- 2 Start the **Capture Tool** software on your computer (Start>Programs> Capture Tool). The **Select Scanner Model** dialog box is shown.
- 3 Select your driver type and scanner model.
- 4 Click **OK**. The **Capture Tool** dialog box is shown.
- 5 Click the "Setup" button to prompt the TWAIN user interface.
- 6 Click the "Settings" tab and then click the "Calibration" button. An "Insert calibration sheet" dialog box appears.
- 7 Hold the edges of the calibration sheet (included) and place it with the text **face up** and the white area feeding first to the feeder of the scanner as shown.



- 8 Click **OK** on the "Insert calibration sheet" dialog box to start calibrating the scanner.
- 9 Wait until calibration is complete.

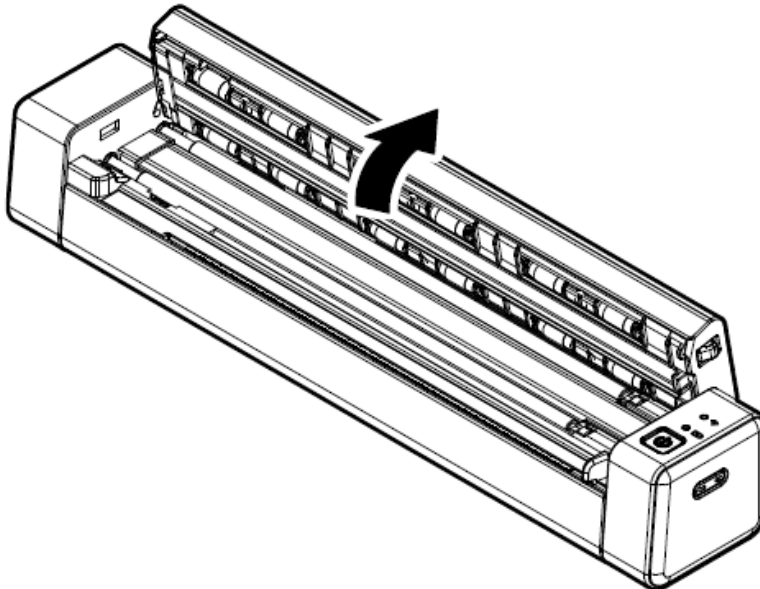
Clean the scanner

To maintain the quality of the scanned image and avoid dust build-up, we recommend that you clean the scanner (outer casing and feed rollers) approximately every 200 scans, or if vertical lines or stripes show on the scanned image.

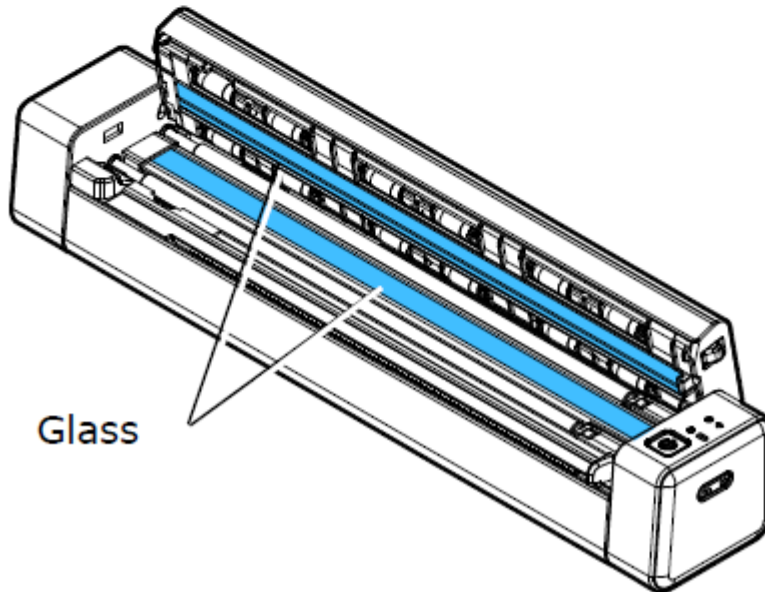
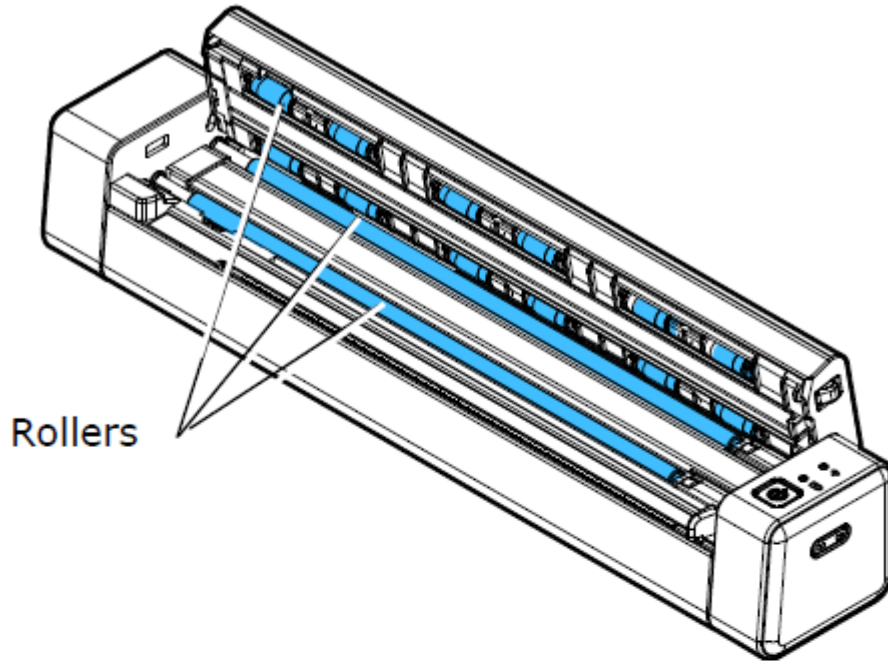


Do not use solvents or corrosive liquids (alcohol, kerosene, etc.) to clean any part of the scanner. It may permanently damage the plastic material.

- 1 Open the cover by holding the scanner with one thumb on the feeder and the other thumb on the cover. Press your thumb carefully and firmly against the feeder, then lift the cover. The top of the scanner now detaches from the bottom.



- 2 Gently wipe the scanner glass, feed rollers and CIS cover with the cleaning cloth.



Troubleshooting

FAQ

Question	Why won't my scanner start?
Answer	Make sure that the USB cable is properly connected to the scanner and the computer

Question	Why doesn't my computer recognize my scanner when connected via USB cable?
Answer	Make sure that the cable connection is correct and secure. Restart the computer if necessary.

Question	Is it normal for the scanner to be warm?
Answer	It is normal for the scanner to become slightly warm after prolonged use. However, if you notice any strange smells coming from the scanner, or if it feels too hot to the touch, stop it immediately.

Question	Why are there strange lines on the scanned document?
Answer	Examine the following points: <ol style="list-style-type: none"> 1. Does the original have any scratches or is it clean? 2. Remove any stains or dust from the original before scanning. 3. Clean the rollers and glass with the cleaning cloth supplied.

Question	Why is my scanned image always too dark?
Answer	Examine the following points: <ol style="list-style-type: none"> 1. Calibrate the scanner. 2. Adjust your monitor to sRGB in the color profile of your computer's display settings.

Question	Why are the "auto-crop" and "deskew" functions deactivated when I select an optical resolution of 600 dpi?
Answer	Since auto-cropping and deskewing consume a lot of system memory, we suggest that if you wish to run the auto-cropping and deskew functions, select an optical resolution of fewer than 600 dpi to avoid an error message.

Question	What should I do if the scan button flashes rapidly and no scan is possible?
Answer	<p>Examine the following points:</p> <ol style="list-style-type: none"> 1. Is there a jam in the feeder? Stop the scanner, then restart it to continue feeding sheets. If the paper is still jammed, open the cover and carefully remove the paper. 2. Is the cover open? Make sure the cover is closed. 3. Have you inserted the next original before scanning the previous original? Stop the scanner, then restart it, and try again. Make sure that you scan the next original only after you have finished scanning the previous one. 4. Does the length of the original exceed the maximum acceptable size?

Question	What should I do if my mobile device crashes after scanning?
Answer	<p>Examine the following points:</p> <ol style="list-style-type: none"> 1. On your mobile device, go to Settings > About my phone > RAM expansion. Expand RAM. 2. If it is not possible to expand RAM on your mobile device, refer to a third-party app that could help you do so.

Wi-Fi mode

Question	Why can't I see the name of the scanner's Wi-Fi network (SSID)?
Answer	Make sure that you slid the Wi-Fi switch to the ON position and that the Wi-Fi LED is lit. If the Wi-Fi access point is still in countdown mode, wait until the blue Wi-Fi LED lights up completely.

Question	Will the battery drain faster when Wi-Fi mode is ON?
Answer	Yes, when Wi-Fi mode is ON, the scanner automatically stops as normal. It is therefore advisable to stop Wi-Fi mode when images have been downloaded to your computer.

Question	Why can't I connect to my e-mail or other websites/programs after I disconnect from the scanner's Wi-Fi network?
Answer	To resume your normal Wi-Fi connection, make sure that you reconnect your computer, tablet, or phone to your usual local Wi-Fi network when you are finished with the scanner connection.

Troubleshooting

Clear error conditions

If an error occurs during scanning, the power/scan button LED flashes red. Refer to the following table to eliminate error situations.

The number of times the red LED flashes	Description	How to restore
4 (continued)	Paper jam	Remove the paper and try again. The red LED will not stop flashing unless the paper is removed.
6 (continued)	Cover open	Close the cover and try again. The red LED will not stop flashing unless the cover has been closed.

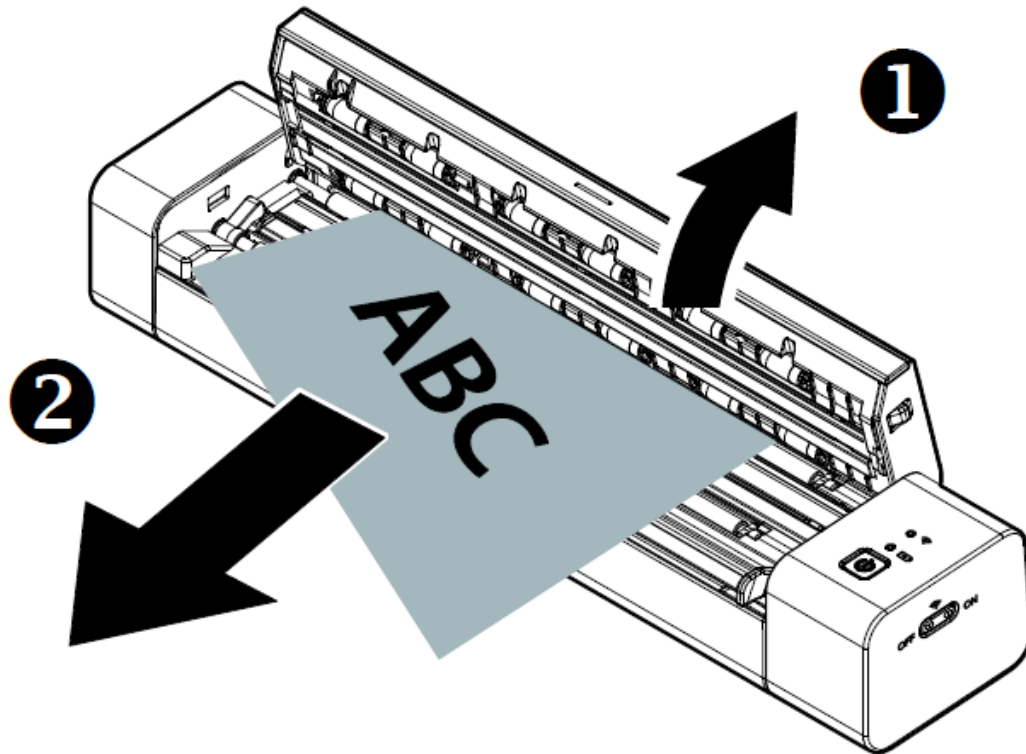


If the battery charge is below 25%, the battery LED flashes red. Recharge the battery to avoid possible incomplete scanned images or other operating problems.

Remove a paper jam

- 1 Open the cover by holding the scanner with one thumb on the feeder and the other on the cover. Press your thumb carefully and firmly against the feeder, then lift the cover. The top of the scanner now detaches from the bottom.

- 2 Remove the paper.



- 3 Close the cover and replace the document.

Correct wrong cropping

If the cropping results are not satisfactory (for example, the result is A4 size for an ID card and the sheet is blackened), make sure that you apply the cleaning procedure or the calibrating procedure of the scanner. Refer to [Clean the scanner](#) or [Calibrate the scanner](#).

Clear Wi-Fi connection

If the password prompt window does not show, this can mean that there is a conflict with previous network connections. Do the following steps to clear the connection history:

- 1 Stop the scanner.
- 2 On the computer, go to **Wi-Fi settings > manage known networks**.
- 3 Select old scanner connections one by one and select **Forget**.
- 4 Restart the scanner.
- 5 Connect to Wi-Fi again. (See [How to connect to Wi-Fi](#))



Clearing the Wi-Fi connection also applies to your **mobile device** in the event of a conflict between different scanners. You need to forget the previous scanner in your connection history to connect to the new one.

We are here for you

To contact us, go to <https://support.irislink.com/>.

Safety

Disclaimer

1. Read the user manual carefully before use, and operate strictly in accordance with the content of the manual.
2. This product is **not waterproof**. Do not use in splash water or other environments where water could enter the product. You are responsible for any damage caused by water ingress.

Precautions

1. Place the scanner close enough to the computer for the interface cable to reach it easily.
2. When connecting this scanner to a computer or other device with a cable, ensure the correct orientation of the connectors. Each connector has only one correct orientation. Inserting a connector in the wrong orientation may damage both devices connected by the cable.
3. Keep the scanner out of direct sunlight. Exposure to direct sunlight or excessive heat can damage the device.
4. Do not put the scanner in a damp or dusty place.
5. Put the scanner on a flat, even surface. Tilted or uneven surfaces can cause mechanical or paper feed problems.
6. Never attempt to disassemble, modify, or repair the scanner or any of its components yourself.
7. Take care not to drop the scanner or expose it to physical impacts.
8. Keep the AC power cord/USB cable out of the reach of children to avoid risk of injury.
9. Keep the scanner box and packing materials for shipping purposes.

Safety instructions

- Never handle the scanner with damp or wet hands, in nomadic mode, or when used as a fixed unit.
- Other than placing a mini SD card or new batteries in the openings provided for the purpose and indicated on the scanner, do not insert objects into any opening as they may touch dangerous voltage points or short out parts and lead to a risk of electrocution.
- Use only the USB cable that came with your device and avoid abrasions, cuts, fraying, crimping, and kinking. Using any other USB cable could cause fire, electrical shock, or injury.
- If the product overheats or produces smoke or an unusual odor, discolors or becomes deformed in an abnormal way, immediately turn off the scanner, remove the batteries where applicable, and disconnect the cables. Stop using the scanner and contact your dealer or IRIS customer support to receive instructions on the procedure to follow.
- Do not place or store the scanner outdoors, in a car, near heat sources, in locations that are dusty, damp or exposed to impact, vibration, condensation, high temperatures, sunlight, strong light, or rapid changes in temperature or humidity.
- Never disassemble, modify, or attempt to repair the device or device option by yourself, except as specifically explained in the device's documentation. This could cause fire, electrical shock, or injury.
- Radio waves from this product may adversely affect the operation of other devices, such as medical equipment, measuring instruments in airplanes, or automatically controlled devices, such as pacemakers, automatic doors, or fire alarms, and any other device that is sensitive to radio waves. When using this product near such devices or inside a medical facility, follow the directions marked on the devices concerned and the instructions for authorized staff members at the facility, and follow all posted warnings and directions on the device to avoid causing an accident.
- Unplug the device and the USB cable before cleaning.

Legal information

Copyright

© 2023 I.R.I.S. SA. All Rights Reserved.

I.R.I.S. owns the copyrights to the IRIScan™ Anywhere and to this publication.

The product described in this document is furnished under a license agreement which states the terms of use of this product. The software may be used or copied only in accordance with the terms of that agreement. No part of this publication may be reproduced, transmitted, stored in a retrieval system, or translated into another language without the prior written consent of I.R.I.S.

Documentation version 1.0 - Product version 6 Duplex

The information contained in this document is the property of I.R.I.S. Its content is subject to change without notice and does not represent a commitment on the part of I.R.I.S. Any modification, error correction, or feature updates made in the actual software may have not been timely updated in this user manual. You may refer to the software itself for more accurate details. Any misprints, translation error, or inconsistency with existing software, will be updated timely.

This manual uses fictitious names for purposes of demonstration; references to actual persons, companies, or organizations are strictly coincidental.

Trademarks

IRIScan™ Anywhere logo and IRIScan™ Anywhere are trademarks of Image Recognition Integrated Systems S.A. (I.R.I.S. SA)

OCR ("Optical Character Recognition"), Linguistic technology, ICR ("Intelligent Character Recognition") technology, MICR ("Magnetic Ink Character Recognition") technology, BCR ("Bar Code Reading") technology, OMR (Optical Mark Recognition), iHQC ("intelligent High Quality Compression") technology and HQOCR ("High Quality OCR") technology by I.R.I.S.

Windows® is a registered trademark of Microsoft Corporation in the United States and other countries.

Mac® and macOS® are trademarks of Apple Inc., registered in the U.S. and other countries and regions.

Android® is a trademark of Google LLC.

IOS® is a trademark or registered trademark of Cisco in the U.S. and other countries and is used under license.

All other products mentioned in this documentation are trademarks or registered trademarks of their respective owners.

FCC Radio Frequency Interference Statement

This equipment has been tested and found to comply with the limits for a Class B digital device, pursuant to Part 15 of the FCC Rules. Operation is subject to the following two conditions: (1) this device may not cause harmful interference, and (2) this device must accept any interference received, including interference that may cause undesired operation. The FCC Class B limits are designed to provide reasonable protection against harmful interference in a residential installation. This equipment generates, uses and can radiate radio frequency energy and, if not installed and used in accordance with the instructions, may cause harmful interference to radio communications.

However, there is no guarantee that interference will not occur in a particular installation. If this equipment does cause harmful interference to radio or television reception, which can be determined by turning the equipment off and on, the user is encouraged to try to correct the interference by one or more of the following measures:

- Reorient or relocate the receiving antenna.
- Increase the separation between the equipment and receiver.
- Connect the equipment into an outlet on a circuit different from that to which the receiver is connected.
- Consult the dealer or an experienced radio/ TV technician for help.

European Union Regulatory Notice

Products bearing the CE marking comply with the following EU Directives:

- Low Voltage Directive 2014/35/EC
- EMC Directive 2014/30/EC
- Restriction of the use of certain hazardous substances (RoHS) Directive 2011/65/EU
- RED (Radio Equipment Directive) (2014/53/EC)

This product satisfies the Class B limits of EN55032, EN55035, and safety requirements of EN62368-1.

This device is certified as Class 1 LED product.

Disposal of Waste Equipment by Users in Private Households in the European Union



This symbol on the product or on its packaging indicates that the product cannot be disposed of with your other household waste. Instead, it should be sent to appropriate facilities for recovery and recycling in an effort to protect human health and the environment. For more information about where you can drop off your waste equipment for recycling, please contact your local city office, your household waste disposal service or the shop where you purchased the product.

I.R.I.S. SA/NV

rue du Bosquet 10, B-1348 Louvain-la-Neuve

+32 (0) 10 45 13 64 - www.iriscorporate.com